

# IXAPL35

Intel® Apollo lake Based Box PC



## Features

- Intel Apollo lake BGA processor
- Single channel DDR3L system memory up to 8GB
- Multiple display: HDMI and DP
- 10/100/1000Mbit ethernet card
- SATA3.0, M.2 (2242 SSD)
- 9~24V DC input



## Introduction

The IXAPL35 is a small form factor embedded system. Built with the Intel® Apollo lake platform, it supports intel celeron N3350, J3355, N3450, J3455, N4200 and J4205. This system carries a one DDR3L SO-DIMM slot with a total maximum of 8GB to add higher bandwidth and lower latencies for processes. That being said, this computer features M.2, SATA3.0 and EMMC, which makes it a good choice for data transportation application.

This system also features multiple display via 1×Display Port1.2 and 1×HDMI1.4. It has 2×10M/100M/1000M BASE-T gigabit LAN (Intel i211), 4×USB3.0, 4×USB 2.0, 6×RS232, catering to most requirements in the market. This Apollo lake Celeron based system is designed for various application as, but not limited to, automation, network security, communication and transportation.



H/W Monitor



Watchdog



GPIO



Brightness

## CPU Options

**Celeron N3350** (1.10GHz, burst frequency 2.40GHz, dual-core,TDP 6W)

**Celeron J3355** (2.00GHz, burst frequency 2.50GHz, dual-core,TDP 10W)

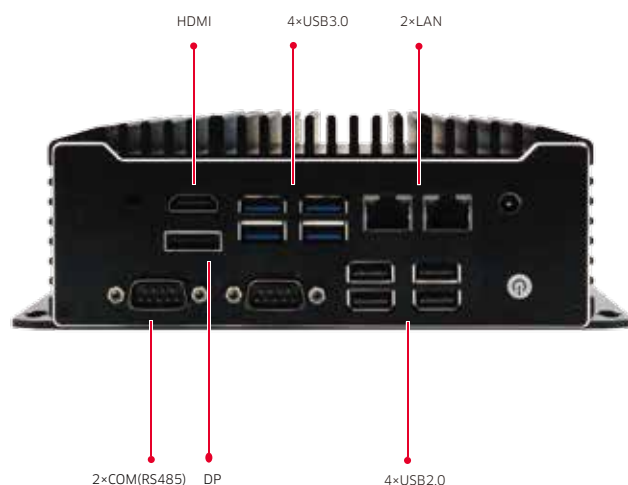
**Celeron N3450** (1.10GHz, burst frequency 2.20GHz, quad-core,TDP 6W)

**Celeron J3455** (1.50GHz, burst frequency 2.30GHz, quad-core,TDP 10W)

**Celeron N4200** (1.10GHz, burst frequency 2.50GHz, quad-core,TDP 6W)

**Celeron J4205** (1.50GHz, burst frequency 2.60GHz, dual-core,TDP 10W)

## I/O Interfaces



Front Panel



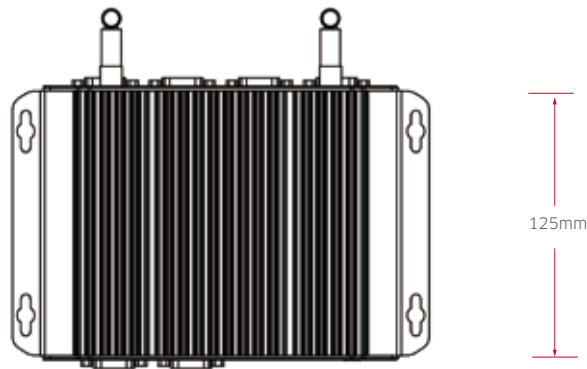
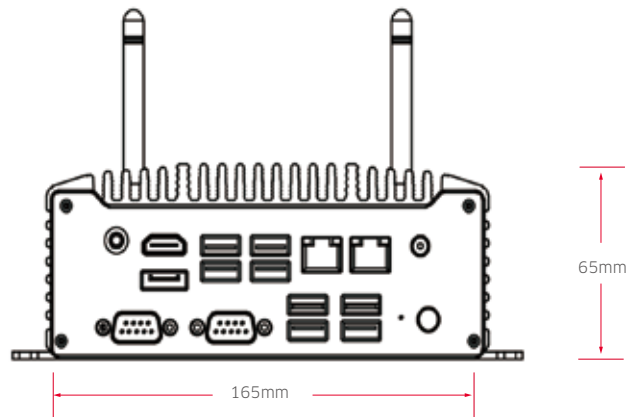
Rear Panel

## Technical Specifications

<b>Processor</b>	CPU	N3350	J3355	N3450	J3455	N4200	J4205
	Core frequency	1.10GHz	2.0 GHz	1.1GHz	1.5 GHz	1.1GHz	1.5 GHz
	Burst frequency	2.40GHz	2.5 GHz	2.2GHz	2.3 GHz	2.5GHz	2.6 GHz
	Cache	2MBL2	2MBL2	2MBL2	2MBL2	2MBL2	2MBL2
Memory	Type	1x DDR3L SODIMM					
	Capacity	Max. 8GB					
Display	GPU	Intel HD Graphics 500 (based on CPU)					
	HDMI	1					
	DP	1					
	Multiple display	HDMI+DP					
Ethernet	Speed	10/100/1000Mbps					
	Controller	2x Intel i211					
	Interface	2x RJ45					
	Wake on LAN	Yes					
Audio	Audio codec	Realtek HD ALC662					
	Interface	Line-out and MIC-in in one, amplifier by header					
Storage	M.2	1xM.2 for 4G or 2242 SSD (SATA definition)					
	SATA3.0	1xSATA3.0					
	EMMC	Optional					
Front panel I/O	COM	2xRS485					
	Lan	2					
	USB3.0	4					
	USB2.0	4					
	DP	1					
	HDMI	1					
	DC-IN	1					
Rear Panel I/O	COM	4xRS232					
Power	Standard port	1x9~24V DC-IN/4 PIN Power					
	Peripheral Input	For fan and SATA power					
	LED Indicator	POWER indicator					
Environment	Size	165mm x 125mm x 65mm					
	Operating Temp.	-40°C ~60°C					
	Storage Temp.	-40°C ~80°C					
OS	Win10 32 bit/64bit, Linux						

\* All specifications and photos are subject to change without notice.

## Dimensions



## Ordering Information

Model	CPU	Memory	HDMI	DP	LAN	Audio	RS232	RS485	USB3.0	USB2.0	SATA3.0	M2	Power	Cooling
IX3350-B0	N3350	1× DDR3L	1	1	1	Yes	4	2	4	4	1	2	DC-IN	Passive
IX3355-B0	J3355	1× DDR3L	1	1	1	Yes	4	2	4	4	1	2	DC-IN	Passive
IX3450-B0	N3450	1× DDR3L	1	1	1	Yes	4	2	4	4	1	2	DC-IN	Passive
IX3455-B0	J3455	1× DDR3L	1	1	1	Yes	4	2	4	4	1	2	DC-IN	Passive
IX4200-B0	N4200	1× DDR3L	1	1	1	Yes	4	2	4	4	1	2	DC-IN	Passive
IX4205-B0	J4205	1× DDR3L	1	1	1	Yes	4	2	4	4	1	2	DC-IN	Passive
Customization available														